

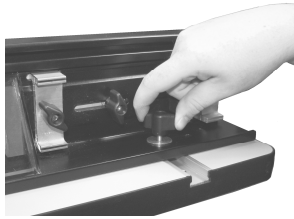
Mount the fence to the router table.



If you have purchased this fence with a larger package including the new Rousseau router table locate the T-nut kit. Assemble the T-nuts by threading the bolts into the nuts from the counter bored side.



Slip the nuts into the two tracks either side of the base plate.



Place the fence onto the bolts and install flat washer to protect the finish on the fence and tighten down with knobs.

If you purchased this fence alone or as an upgrade you have a couple of options

The quickest and fastest way to making a part is to simply clamp the fence to your table.

Another option is to router in two 5/16" slots completely through the table, spaced equal to the spacing of the mounting holes on the router fence, and use 1/4" - 20 bolts with fender washers to attach the fence.



### Jointer feature

To implement the jointer feature the face board on the out feed side of the fence needs to be offset (shimmed out) to the depth of the cut

Simply loosen the knobs holding the face boards then tighten the offset tabs. Next tighten the face boards against the offset tabs.

To change the offset from the smallest offset of approximately .02 of an inch to the largest approximately .05 inch simply place the indicator line on the tab into the face boards.

**NOTE;** it is neither necessary nor desirable to over tighten the face boards. Over tightening will cause the face boards to warp affecting the jointing operation.

To return to router operation simply loosen the offset tabs allowing the face boards to be tightened to the fence then re-tighten the offset tabs just enough to assure they don't vibrate loose.

# ROUSSEAU CO.

Clarkston, WA 99403 509.758.3954 [www.rousseauco.com](http://www.rousseauco.com)

## ROUTER FENCE



Models  
3322, 3330, 3342,

Safety first safety always;

Take the time to unplug your power tools before making installations or adjustments, it is a small price to pay to avoid serious injury.

Wear your safety equipment. Modern eye and ear protection are effective and comfortable. Using them reduces distraction and will make you a better woodworker. Be attentive. Hazards come in many forms. Loose fitting clothing, jewelry, loose hair, trip/slip hazards, even poor lighting can take you out of control and place you at great risk.

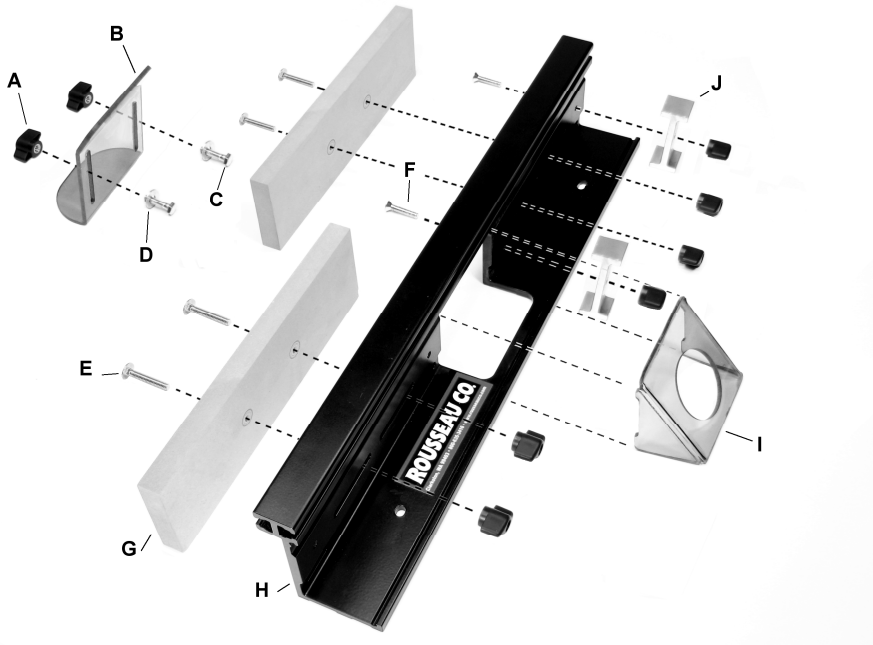
You are your greatest piece of safety equipment, look around. Make the decision to be safe every time.

Congratulations on your purchase of a ROUSSEAU CO. precision machined router fence.

The four inch throat will accommodate up to 3 1/2 inch panel bits while the cutter guard and vacuum dust collector help to keep a clean work environment. No tools are required to quickly setup the jointer feature or easily adjust fence location and face boards.

Accessory mounting is provided for the entire length of the fence both front and rear.

## Assemble your fence



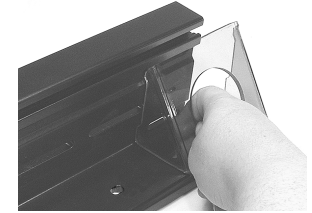
### Illustrated Parts Diagram

Drawing Ref.	Name	Quantity 3322	Quantity 3330	Quantity 3342
A	Knob	8	9	9
B	Guard	1	1	1
C	¼-20 x 1" Hex Head Bolt	4	4	4
D	1/4 Flat Washer or Black Spacer	2	2	2
E	¼-20 x 1 ½ Carriage Bolt	4	4	4
F	¼-20 x 1 ¼ Philips Flat Head	2	3	3
G	Face Board	2	2	2
H	Fence Base	1	1	1
I	Dust Collection Port	1	1	1
J	Offset Tab	2	3	3

Not shown in the illustration is the mounting hardware;  
2 of the ¼-20 x 1" hex head bolts, 2 T-nuts, 2 ¼-20 x 2" carriage bolts,

Remove the hardware pack;

Locate the vacuum dust collection port . Fig.1 Part I  
From the end insert and slide (by pulling or tapping with a rubber mallet) the dust port down the length of the fence base to the point where it covers the throat of the fence.



Locate the 2 - 1 ¼ inch flat head machine screws. Fig.1 Part F

Screw into the counter sunk threaded locations on the fence extrusion, tighten securely.



Locate the 2 offset tabs. Fig.1 Part J and 2 knobs Fig.1 Part A

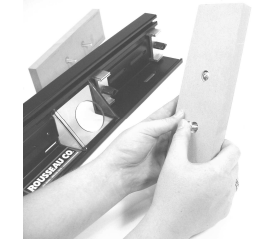


First locate the indicator line on the offset tab so that both tabs have the indicator line facing out (smallest offset) secure the tabs using the knobs (do not over tighten).



Locate the 4 - 1 ½ inch carriage bolts Fig.1 Part E & 4 of the knobs Fig.1 Part A

Place the carriage bolts into the face boards from the side of the board with the ¼ inch counter boar. Holding the face boards in place tighten the knobs until the square portion under the head of the carriage bolt has completely buried it's self into the face board



Locate the 2 – 1 inch Hex Head Bolts Fig.1 Part C, 2 –Black Nylon Spacers Fig.1 Part D and 2 – knobs Fig.1 Part A



Slide the flat washers onto the 1 inch bolts then push the bolts through the slots in the guard Fig.1 #2 Start the knob onto the bolt leaving lots of threads showing. Place the head of the bolt into the front accessory track with the washer between the accessory track and the guard. Slide the guard into place and tighten the knobs to secure.