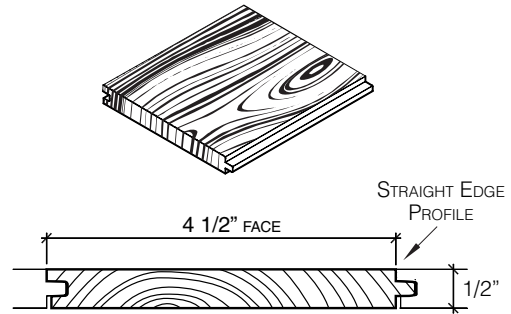


Sabi Cladding - Weather

Last Revised 2/21/2019 - A&D

PRODUCT DESCRIPTION

Weather interior wall cladding has a timeworn appearance that is reminiscent of driftwood or sun bleached coastal siding and is part of the Sabi Collection. The textured face reveals the highlights and dark undertones of the wood grain. The Sabi Collection is comprised of four distinct finishes and textures inspired by the Japanese philosophy of Wabi Sabi, the aesthetic of imperfect beauty. Sabi wall cladding is made of Douglas fir and Hemlock reclaimed from solid and glue laminated beams and lumber.



SPECIFICATIONS

DIMENSIONS

- 1/2" thick x 4 1/2" wide x 2' to 8' random lengths

MATERIAL AND SURFACE

- Reclaimed Douglas fir and Hemlock
- Janka hardness scale 540 - 710
- Resawn face
- Tongue and groove profile with straight edges
- Standard reclaimed marks (nail holes, ferrous staining, glue lines, and occasional bolt holes) will be apparent
- Voids allowed up to 1/8" and are not filled

FINISHES, ADHESIVES AND FILLERS

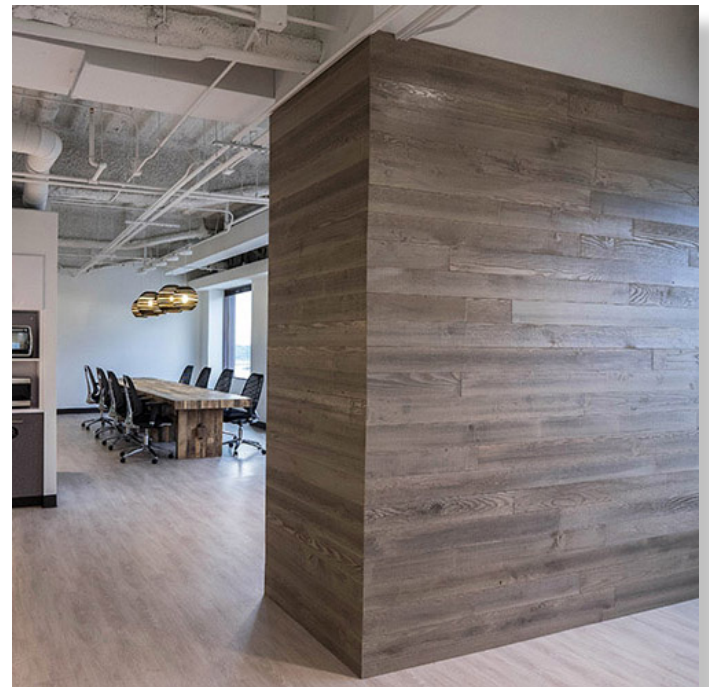
- Standard Top Coat/Sheen: Dead Flat 107 WB Finish
- Shoji stain VOC: 30 g/l
- Lotus stain VOC: 23g/l
- Weather stain VOC: 23 g/l
- Char stain VOC: 7 g/l

WINDFALL LUMBER FSC CHAIN OF CUSTODY

- SA-COC-002372-3

POTENTIAL LEED CREDITS

- Materials and Resources 3: Materials Reuse
- Materials and Resources 4: Recycled Content
- Materials and Resources Credit 5: Regional Materials (500 mi of Tumwater, WA)
- Materials and Resources Credit 7: Certified Wood
- Indoor Environmental Quality Credit 4.1: Low-emitting Materials-Adhesives
- Indoor Environmental Quality Credit 4.2: Low-emitting Materials-Paints and Coatings



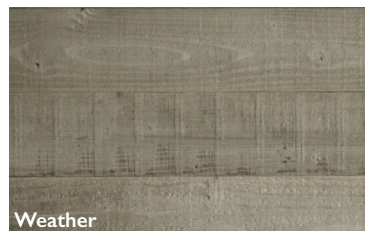
Sabi Cladding - Weather



Char



Lotus



Weather



Shoji

windfall



The mark of
responsible forestry
FSC® C041262