



TAMBOUR ELLIS 3/4

TAMBOUR ELLIS 3/4

Adding architectural profiles to our collection, Tambour Ellis 3/4 is a great way to add warmth, texture and dimension to your space. This is one of two profile size options with a larger profile radius and shorter spacing between.

DIMENSIONS

3" wide single stave
1 1/2" spacing between
3/4" profile radius

Core sizes: 18" x 18", 18" x 36", 36" x 36",
18" x 54", 18" x 90"

MATERIAL AND SURFACE

Species: Solid White Oak or Eastern Black Walnut
Painted MDF: Matte Black, Matte Gray, Matte Light Gray, Matte White, or custom Sherwin Williams paint color for an additional cost.
Panel Backer: NAUF MDF

FINISHES / ADHESIVES

Standard Top Coat/Sheen: Matte WB
Finish Clear/Top Coat VOC: 66 g/L
Paint VOC: 0 g/L
Adhesive VOC: 0 g/L

FIRE RATING

Available in Class A or Class B upon request

SEISMIC RATING

Available upon request

SAMPLES

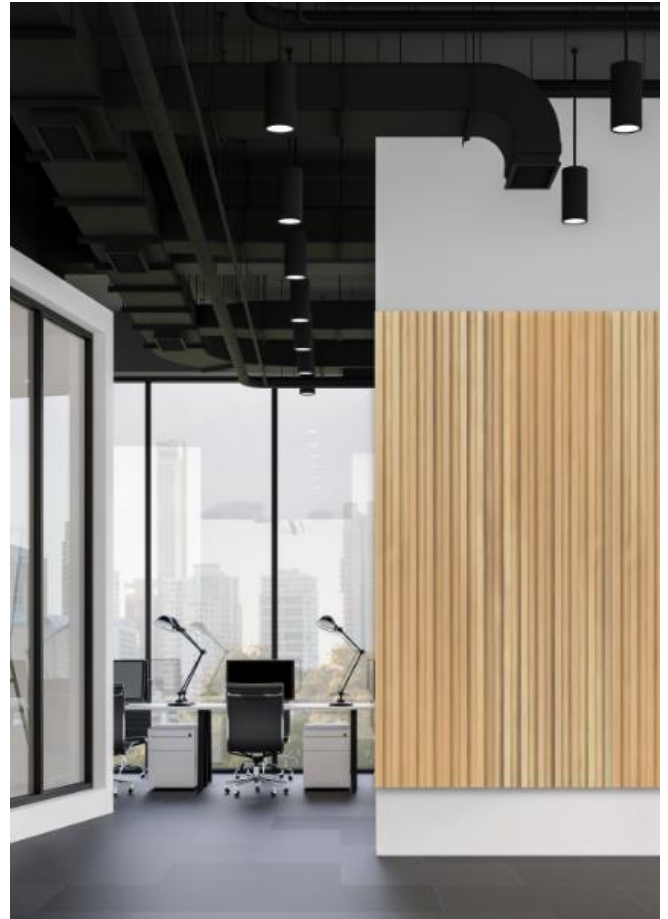
Please Contact Us for your request or make your request at cambio.design

LEAD TIME

3-5 weeks depending on area, and ship date provided upon order

MOQ

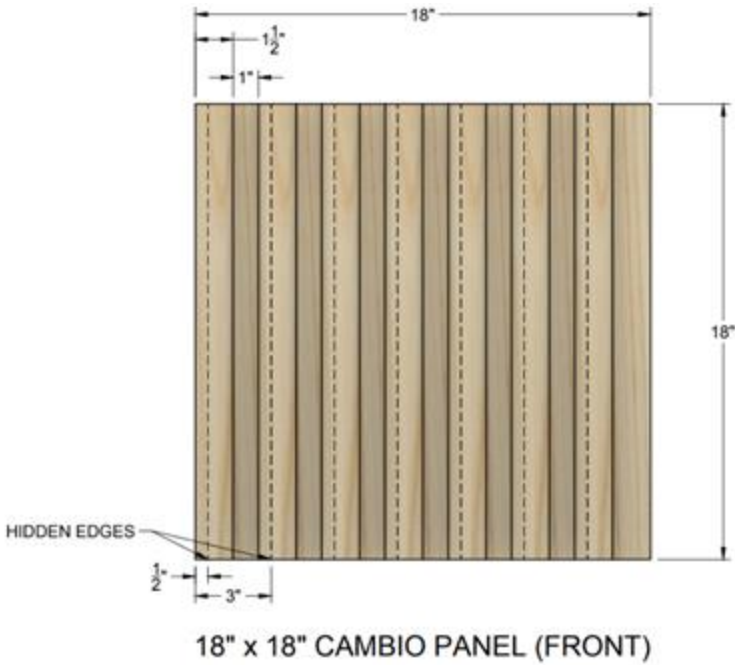
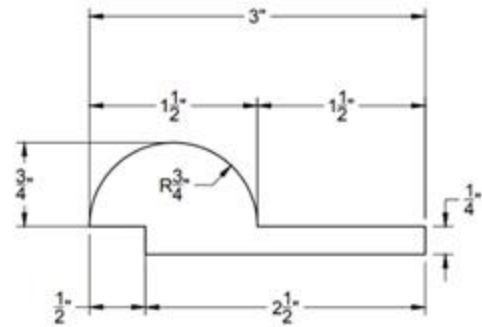
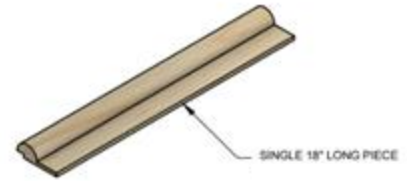
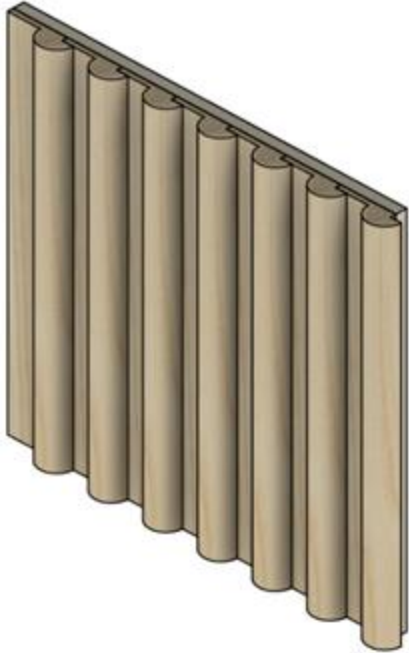
No Minimum Order Quantity



Contact Us: sales@cambio.design | cambio.design



TAMBOUR ELLIS 3/4



OAK



WALNUT



MATTE BLACK



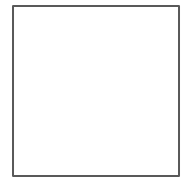
MATTE GRAY



MATTE LIGHT GRAY



MATTE WHITE



CUSTOM SW COLOR

Contact Us: sales@cambio.design | cambio.design