

DETAIL A  
SCALE 1:4



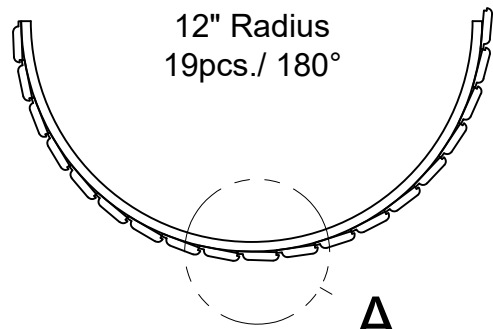
DETAIL B  
SCALE 1:4



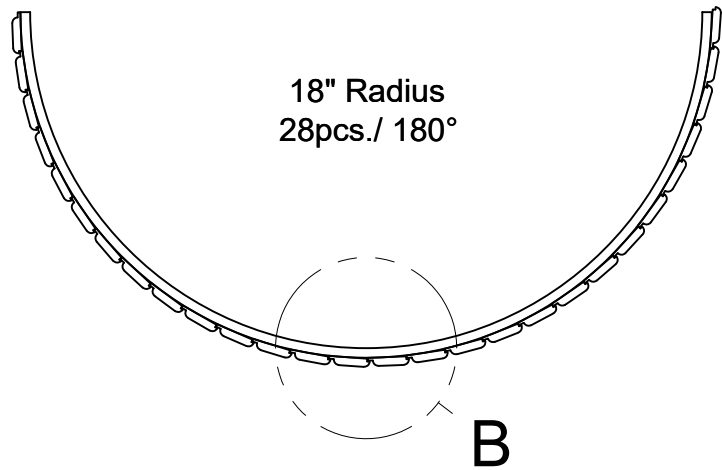
DETAIL C  
SCALE 1:4



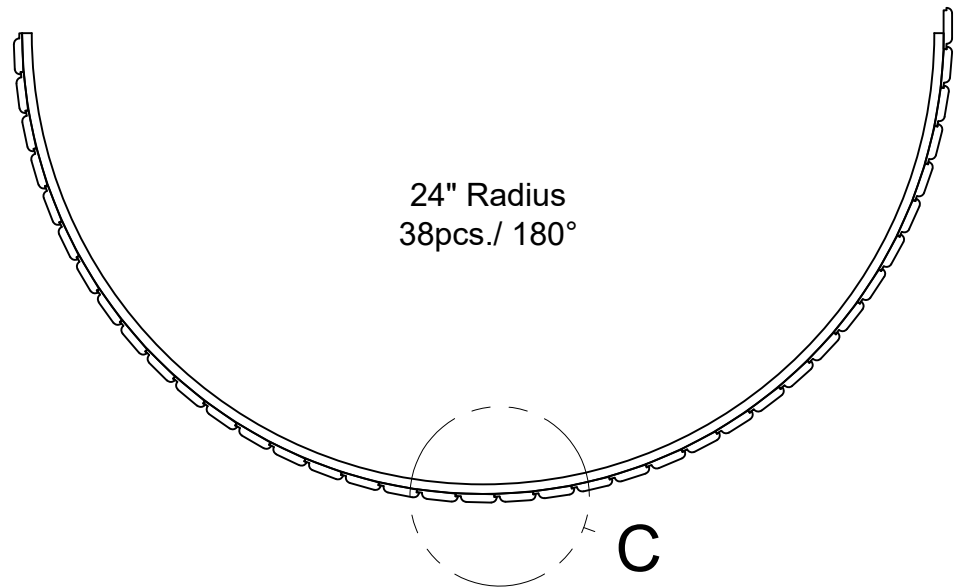
12" Radius  
19pcs./ 180°



18" Radius  
28pcs./ 180°



24" Radius  
38pcs./ 180°



CLIENT

# Rounded Cladding Radius Study

SHEET DATA	
DRAWN BY:	SRLC
SCALE:	As Noted
DATE:	9/27/2023
PROJECT:	Rounded Cladding Study

SHEET NUMBER  
**A1**

**Windfall**

CLIENT

**Rounded Cladding Radius Study**  
Rounded Cladding Radius Study  
Rounded Cladding Radius Study  
**CN# Windfall / Cambio Drawings**

SHEET DATA

DRAWN BY:  
SRLC

SCALE:

DATE:  
5/6/2022

PROJECT:  
Windfall / Cambio Drawings

SHEET NUMBER

**A1**

OF

**Windfall**

CLIENT

**Rounded Cladding Radius Study**  
Rounded Cladding Radius Study  
Rounded Cladding Radius Study  
**CN# Windfall / Cambio Drawings**

SHEET DATA

DRAWN BY:  
SRLC

SCALE:

DATE:  
5/6/2022

PROJECT:  
Windfall / Cambio Drawings

SHEET NUMBER

**A1**

OF

**Windfall**

CLIENT

**Rounded Cladding Radius Study**  
Rounded Cladding Radius Study  
Rounded Cladding Radius Study  
**CN# Windfall / Cambio Drawings**

SHEET DATA

DRAWN BY:  
SRLC

SCALE:

DATE:  
5/6/2022

PROJECT:  
Windfall / Cambio Drawings

SHEET NUMBER

**A1**

OF